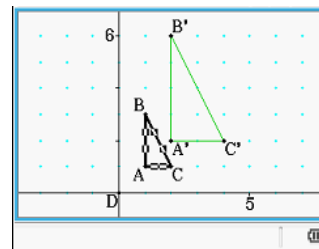


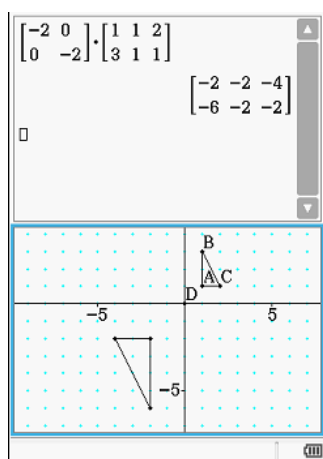
Activity 31 Visualising linear transformations

1. It is a dilation of scale factor 2, centre the origin.

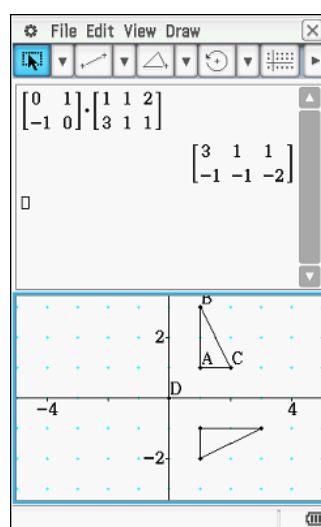


2.

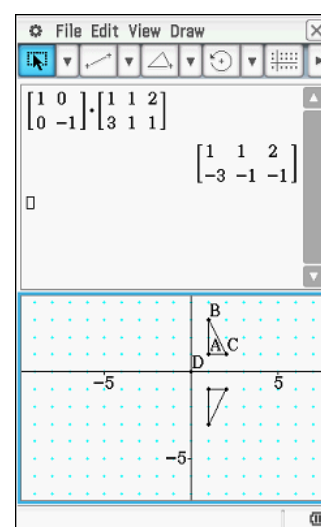
a) Dilation scale factor -2 or rotation of 180° and a dilation of scale factor 2.



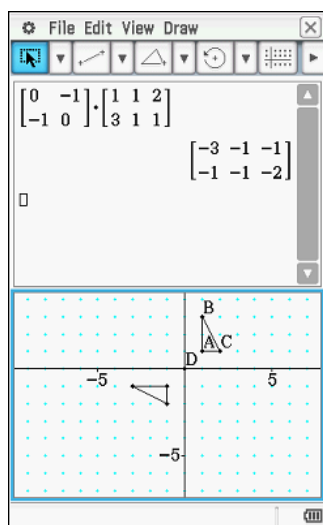
b) Rotation 90° clockwise about the origin.



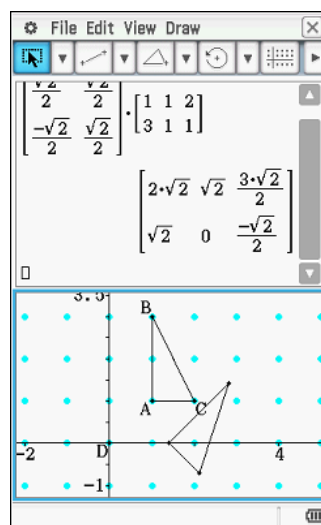
c) Reflection in the x-axis



d) Reflection in the line $y = -x$



e) Rotation clockwise of 45° about the origin.



f) Reflection in the line $y = -\sqrt{3}x$

